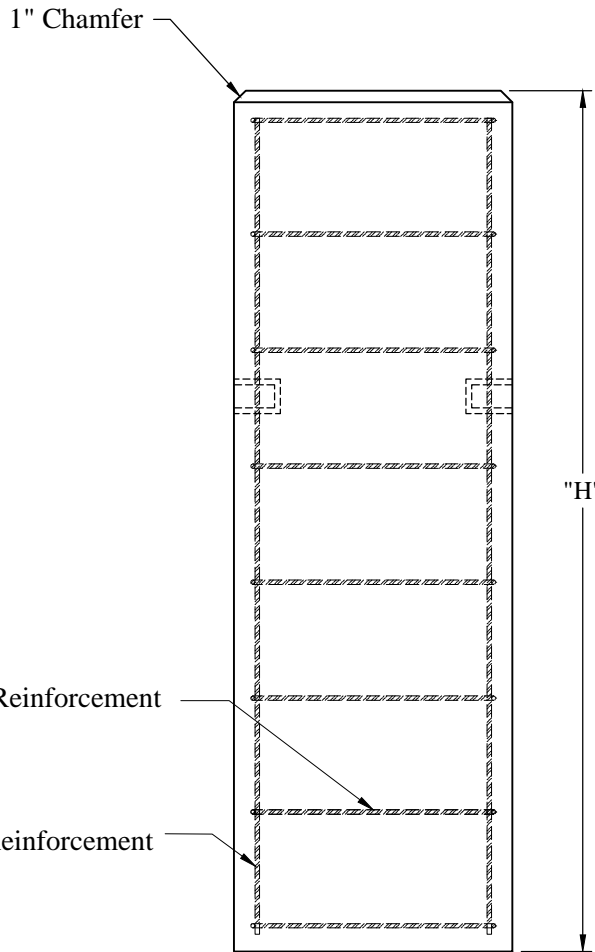
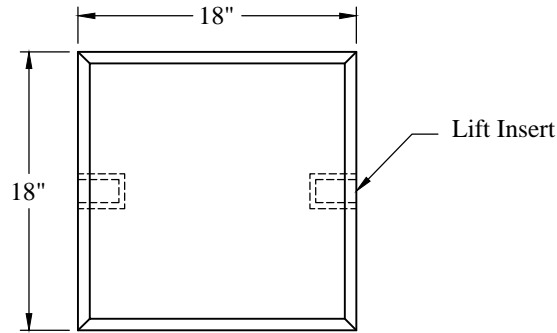


1-800-639-2199

Fax (603) 224-2927

Piers Rectangular\18 x 18 Inch Pier (v)



Height	Weight	P/N:
3'-0"	1,005 lbs	PIER-18S3
3'-6"	1,170 lbs	PIER-18S3.5
4'-0"	1,340 lbs	PIER-18S4
4'-6"	1,505 lbs	PIER-18S4.5
5'-0"	1,675 lbs	PIER-18S5
5'-6"	1,840 lbs	PIER-18S5.5
6'-0"	2,010 lbs	PIER-18S6
6'-6"	2,175 lbs	PIER-18S6.5
7'-0"	2,345 lbs	PIER-18S7
7'-6"	2,510 lbs	PIER-18S7.5
8'-0"	2,680 lbs	PIER-18S8

General Notes

1. Concrete: $f_c = 4,000$ PSI @ 28 Days Minimum
2. Reinforcing Steel Conforms to Latest ASTM Specifications:
ASTM A615 Grade 60 Rebar Black Deformed Bars

Phoenix
Precast
Products

18" x 18"
Pier

Phoenix Precast Products

Phoenix Precast Products